



# CD 15F® 150w CDM Fresnel Spotlight

3410 Series

## SPECIFICATIONS

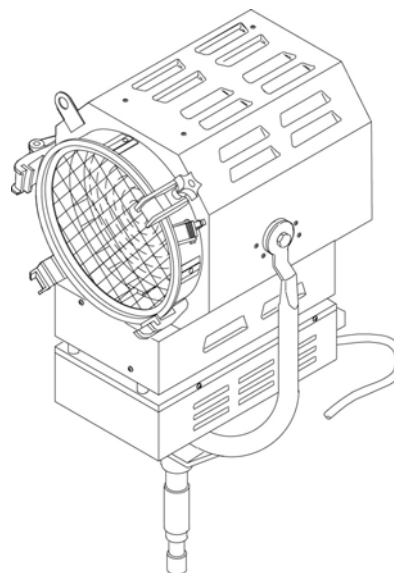
### Quartz Halogen Fresnel Spotlight

**PHYSICAL** Constructed of an octagonal shaped lightweight stainless steel housing  
 Double wall & internal baffles for efficient ventilation  
 Bottom mounted high frequency electronic ballast contained in stainless steel housing  
 Hinged lens door supplied with stainless steel wireguard for easy re-lamping including accessory clips which can be positioned to suit various applications  
 Top locking safety bracket for barndoor & colorframe  
 Illuminated built-in power switch  
 Reinforced steel tube yoke with 1" male spigot attached for C-clamp with cable holding loop on side  
 Clutch activated T-handle for secure, single hand operation  
 UL Listed

**ELECTRICAL** 115-240V, 50/60Hz  
 16/3 SO 90° type cable  
 Twelve foot (12') standard lead  
 Integrated internal high frequency electronic ballast  
 Optional DMX on/off control switch  
 Power consumption of 1.25 amps @ 120 volts

**LAMP** 150w Maximum  
 G12 socket for ceramic discharge metal halide lamps (see table for suitable lamps)  
 10,000 lamp life  
 Available in 3000 & 4200K  
 Lamp is cold re-strike only

**OPTICAL/ FOCUS MECHANISM** 6" (150mm) shock resistant borosilicate glass fresnel lens  
 Special bi-metallic clad aluminum reflector for high degree of reflectivity and thermal resistance for long life  
 Focusable from the side  
 Cable driven focus mechanism guides Teflon bushings along a brass guide rail that is chrome plated  
 Teflon bushings provide a wiping action which cleans the chrome plated brass guide rail during focusing



## ORDERING INFORMATION

### CD 15F

Model #	Description	Wt.
3410.210	Fresnel spotlight with 12' lead, built-in on/off illuminated power switch & optional DMX on/off control switch	15.4

### Connector Designations

Model #	Description	Wt.
5965VBLK	Parallel-blade U-ground connector	0.1
20PC-M	Two-pin & ground, 20 amp connector	0.1
L5-20P	Grounded, 20 amp, twistlock connector	0.1

### CD 15F Accessories

Model #	Description	Wt.
316.100	Four leaf rotating barndoor	1.4
316.200	Eight leaf rotating barndoor	1.9
317.100	Colorframe	0.3
319.100	Four piece stainless steel scrim set	0.3
318.100	Cone w/ two discs (4", 3", 2")	1.9
319.250	180° Bottom light spill protection	0.2
8032	Scrim bag	0.4
1800	Safety cable	0.5
91.200	Solid brass c-clamp	3.0
DGP-A110	Combo stand w/ lazy leg, 1" socket & spigot	26.0
DGP-A9000	Caster wheel set with 4" diameter, braked	8.0

# CD 15F® 150w CDM Fresnel Spotlight

## 3410 Series

### PHOTOMETRICS

TYPICAL DISTANCES		10'	15'	20'	25'
LIGHT CENTER VALUES	Candle Power	FOOTCANDLES			
SPOT	27,450	275	122	69	44
FLOOD	4,725	47	21	12	8

*Values measured with CDM-T 150/830 UV stop lamp—120V, 6" (150mm) Dia. Fresnel Lens*

F.C. at any distance = CANDLE POWER: [Distance (in ft)]²					
BEAM ANGLE (50% of center value)	BEAM DIAMETER in feet				
SPOT	10°	1.7'	2.6'	3.5'	4.4'
FLOOD	60°	11.5'	17.3'	23.1'	28.9'

For illumination with any lamp, multiply the candlepower of a beam spread by the multiplying factor (mf) shown for that lamp.

To determine illumination in footcandles or lux at any throw distance, divide candlepower by distance squared.

For field diameter at any distance, multiply distance by .12

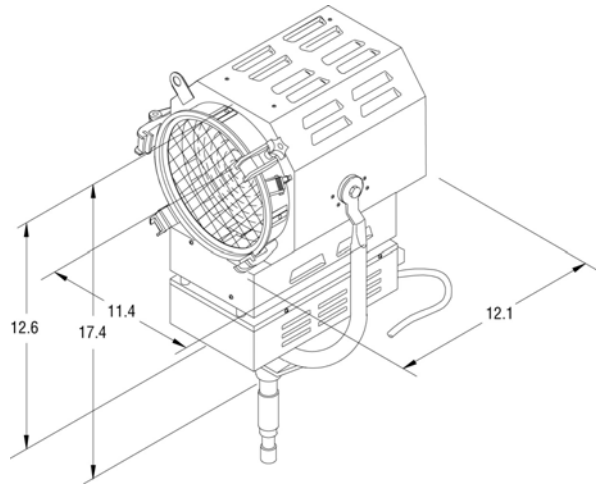
For beam diameter at any distance, multiply distance by .11

**Metric Conversions:** For Meters multiply feet by .3048  
For Lux multiply footcandles by 10.76

### LAMPING INFORMATION

Lamp Code	Watts	Volts	Color Temp	Avg. Rated Life
150/830	150	120	3000K	10,000
150/942	150	120	4200K	10,000

### DIMENSIONS (Inches)



#### DE SISTI LIGHTING

dba Desmar Corporation  
1109 Grand Avenue  
North Bergen, NJ 07047  
201-319-1100  
201-319-1104 Fax  
[www.desisti.it](http://www.desisti.it)