



# CD 7F® 70w CDM Fresnel Spotlight

## 3400 Series

### SPECIFICATIONS

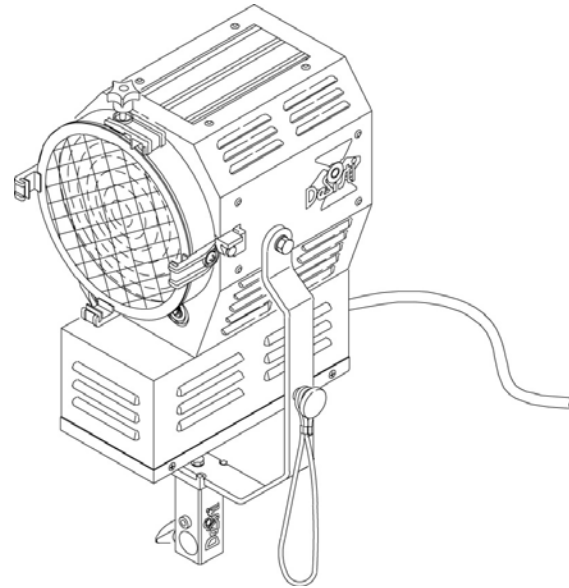
#### Ceramic Discharge Metal Halide Fresnel Spotlight

**PHYSICAL** Constructed of an octagonal shaped lightweight stainless steel housing  
 Double wall & internal baffles for efficient ventilation  
 Bottom mounted high frequency electronic ballast contained in stainless steel housing  
 Hinged lens door supplied with stainless steel wireguard for easy re-lamping including accessory clips which can be positioned to suit various applications  
 Top locking safety bracket for barndoor & colorframe  
 Illuminated built-in power switch  
 Flat aluminum yoke with 5/8" socket for C-clamp with cable holding loop on side  
 Clutch activated T-handle for secure, single hand operation  
 UL Listed

**ELECTRICAL** 115-240V, 50/60Hz  
 16/3 SO 90° type cable  
 Twelve foot (12') standard lead  
 Integrated internal high frequency electronic ballast  
 Optional DMX on/off control switch  
 Power consumption 0.6 amp @ 120 volts

**LAMP** 70w Maximum  
 G12 socket for ceramic discharge metal halide lamps (see table for suitable lamps)  
 10,000 hour lamp life  
 Available in 3000 & 4200K  
 Lamp is cold re-strike only

**OPTICAL/ FOCUS MECHANISM** 4.75" (120mm) shock resistant borosilicate glass fresnel lens  
 Special bi-metallic clad aluminum reflector for high degree of reflectivity and thermal resistance for long life  
 Focusable from the rear  
 Screw feed mechanism guides a Teflon bushing along a brass twisted rod  
 Teflon bushings provide a wiping action which cleans the chrome plated brass guide rail during focusing



### ORDERING INFORMATION

#### CD 7F

Model #	Description	Wt.
3400.200	Fresnel spotlight with 12' lead, built-in on/off illuminated power switch & optional DMX on/off control switch	6.6

#### Connector Designations

Model #	Description	Wt.
5965VBK	Parallel-blade U-ground connector	0.1
20PC-M	Two-pin & ground, 20 amp connector	0.1
L5-20P	Grounded, 20 amp, twistlock connector	0.1

#### CD 7F Accessories

Model #	Description	Wt.
306.100	Four leaf rotating barndoor	0.4
306.200	Eight leaf rotating barndoor	0.7
307.100	Colorframe	0.2
309.100	Four piece stainless steel scrim set	0.2
308.100	Cone w/ two discs (2.8", 2", 1.2")	0.4
8031	Scrim bag	0.2
1800	Safety cable	0.5
91.303	Mini aluminum c-clamp	0.4
91.200	Solid brass c-clamp	3.0
DGP-A620B	Aluminum black stand w/ 5/8" spigot	2.0

# CD 7F® 70w CDM Fresnel Spotlight

## 3400 Series

### PHOTOMETRICS

TYPICAL DISTANCES		10'	15'	20'	25'
LIGHT CENTER VALUES	Candle Power	FOOTCANDLES			
SPOT	9,720	97	43	24	16
FLOOD	1,980	20	9	5	3
<i>Values measured with CDM-T 70/830 UV stop lamp—120V, 4.75" (120mm) Dia. Fresnel Lens</i>					
F.C. at any distance = CANDLE POWER: [Distance (in ft)] <sup>2</sup>					
BEAM ANGLE (50% of center value)		BEAM DIAMETER in feet			
SPOT	10°	1.7'	2.6'	3.5'	4.4'
FLOOD	60°	11.5'	17.3'	23.1'	28.9'

For illumination with any lamp, multiply the candlepower of a beam spread by the multiplying factor (mf) shown for that lamp.

To determine illumination in footcandles or lux at any throw distance, divide candlepower by distance squared.

For field diameter at any distance, multiply distance by .12

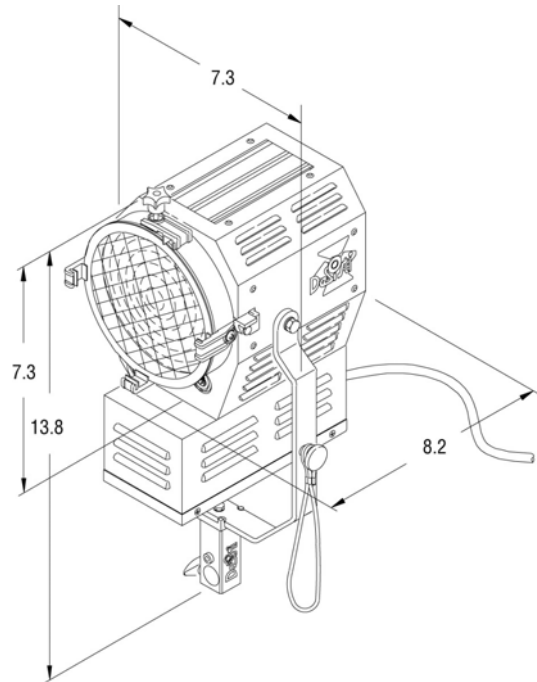
For beam diameter at any distance, multiply distance by .11

**Metric Conversions:** For Meters multiply feet by .3048  
For Lux multiply footcandles by 10.76

### LAMPING INFORMATION

Lamp Code	Watts	Volts	Color Temp	Avg. Rated Life
70/830	70w	120v	3000K	10000
70/942	70w	120v	4200K	10000

### DIMENSIONS (inches)



### DE SISTI LIGHTING

dba Desmar Corporation  
1109 Grand Avenue  
North Bergen, NJ 07047  
201-319-1100  
201-319-1104 Fax  
[www.desisti.it](http://www.desisti.it)