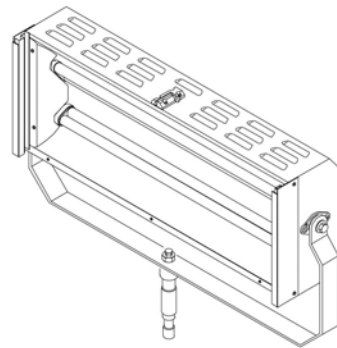




# Delux® 2 x 55w Fluorescent Softlight

4600 Series



## SPECIFICATIONS

### High Efficiency Fluorescent Softlight

**PHYSICAL** Lightweight steel housing with low glare epoxy powder coating  
 Equipped with a dual accessory track for loading colorframes and eggcrates  
 Accessories have been designed for one hand operation and are secured by a locking safety latch regardless of orientation of the fixture  
 Supplied with a flat aluminum yoke with 1-1/8" spigot  
 Clutch activated T-handle for secure, single hand operation  
 Available with optional, vertical yoke  
 UL Listed

### POLE OPERATED VERSION

Pole operated yoke constructed from precision die cast parts & steel tubing allowing for control of the pan & tilt  
 All movement using the pole operated color-coded cups is clutch controlled and capable of manual movement of the unit

**ELECTRICAL** 115-230v, 50/60Hz  
 18/3 SJT type cable  
 Supplied with an 8' power cord fitted with a molded U-ground connector  
 Available in Analog, Phase Control & DMX versions for 120 or 230v operation  
 Local intensity control through a local potentiometer available on Analog & DMX versions  
 Digital DMX address selector on rear of unit  
 Built-in Quicktronic ballast dimming

**LAMP** Uses 2 x 55w compact fluorescent bias lamps rated for 10,000 hours (see table for suitable lamp types)

**OPTICAL** High efficiency reflector system eliminates the need for an external intensifier  
 Reflector: 24 gauge high polished aluminum  
 Polished specular finish  
 96% specular reflectance

## ORDERING INFORMATION

### Delux 2 x 55w

Model #	Description	Wt.
<i>DMX Versions</i>		
4600.210	2x55w Manual Operated DMX w/ on/off & light intensity control through a single DMX channel, local control included	13.2
4601.210	2x55 Pole Operated DMX w/ on/off & light intensity control through a single DMX channel, local control included	15.4
<i>Analog Versions</i>		
4600.220	2x55w Manual Operated Analog with light intensity control by a local potentiometer	13.2
4601.220	2x55w Pole Operated Analog with light intensity control by a local potentiometer	15.4
<i>Phase Control Versions</i>		
4600.240	2x55w Manual Operated Phase Control with light intensity control through a standard dimmer output	13.2
4601.240	2x55w Pole Operated with light intensity control through a standard dimmer output	15.4

### Connector Designations

Model #	Description	Wt.
20PC-M	Two-pin & ground, 20 amp connector	0.1
L5-20P	Grounded, 20 amp, twistlock connector	0.1

### Delux 2 x 55w Accessories

Model #	Description	Wt.
4607.100	Colorframe	0.7
4605.200	Eggcrate 1/4" Cell	1.1
4605.210	Eggcrate 1/2" Cell	1.1
4606.200	Barndoor 8-Leaf	N/A
1800	Safety cable	0.5
91.200	Solid brass c-clamp	3.0
DGP-A110	Combo stand w/ lazy leg, 1" socket & spigot	26.0
DGP-A9000	Caster wheel set with 4" diameter, braked	8.0
IFF-3858	Telescopic operating pole 4'6"/10'/13'	3.0
IFF-3860	Telescopic operating pole 8'/16'/24'	7.0

# Delux® 2 x 55w Fluorescent Softlight

## 4600 Series

### PHOTOMETRICS

TYPICAL DISTANCES		10'	15'	20'	25'
LIGHT CENTER VALUES	Candle Power	FOOTCANDLES			
OSRAM Dulux/ 31 RGB	4,086	41	18	10	7
OSRAM Dulux/ 32 Full Spectrum	2,880	29	13	7	5
OSRAM Dulux/ 12 Full Spectrum	3,150	32	14	8	5
OSRAM Studioline 3200° K	4,347	43	19	11	7
OSRAM Studioline 5600° K	4,185	42	19	10	7

*Values measured with 2 x 55w lamps—120V, OSRAM Dulux & Studioline*

F.C. at any distance = CANDLE POWER: [Distance (in ft)]<sup>2</sup>

BEAM ANGLE (50% of center value) no accessories	BEAM SIZE (W x H in feet)				
WIDTH	98°	23'	34.5'	46'	57.5'
HEIGHT	62°	12'	18'	24'	30'

BEAM ANGLE (with 1/4" narrow eggcrate)

CENTER LIGHT INTENSITY REDUCTION	26 %				
WIDTH	33°	5.9'	8.9'	11.8'	14.8'

BEAM ANGLE (with 1/2" medium eggcrate)

CENTER LIGHT INTENSITY REDUCTION	21 %				
WIDTH	48°	8.9'	13.4'	17.8'	22.3'

For illumination with any lamp, multiply the candlepower of a beam spread by the multiplying factor (mf) shown for that lamp.

To determine illumination in footcandles or lux at any throw distance, divide candlepower by distance squared.

For field diameter at any distance, multiply distance by .12

For beam diameter at any distance, multiply distance by .11

**Metric Conversions:** For Meters multiply feet by .3048  
For Lux multiply footcandles by 10.76

### LAMPING INFORMATION

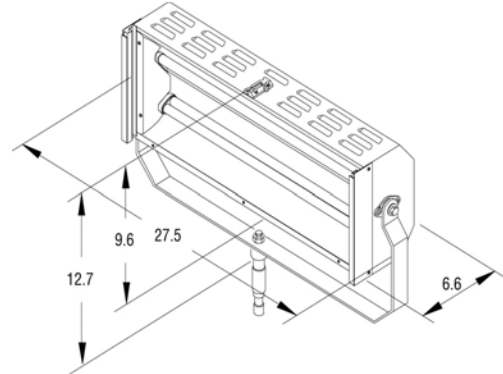
Lamp Code	Watts	Volts	Color Temp	CRI
OSR-DL5531—Dulux	55	120	31 RGB	>85
OSR-DL5532—Dulux	55	120	3200K	>95
OSR-DL5512—Dulux	55	120	5600K	>95
OSR-SL5532—Studioline	55	120	3200K	>95
OSR-SL5556—Studioline	55	120	5600K	>95



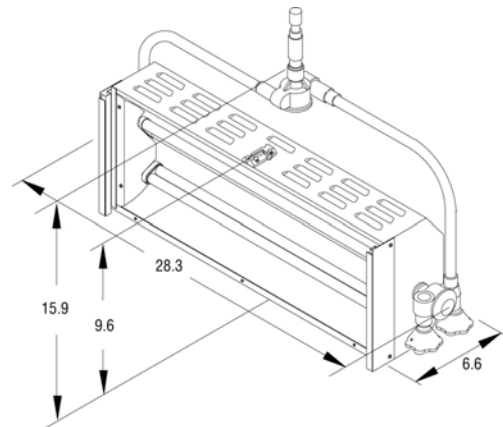
**DE SISTI LIGHTING**  
dba Desmar Corporation  
1109 Grand Avenue  
North Bergen, NJ 07047  
201-319-1100  
201-319-1104 Fax  
[www.desisti.it](http://www.desisti.it)

### DIMENSIONS (Inches)

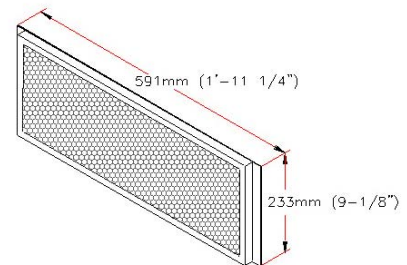
#### Manual Operated



#### Pole Operated



4605.200  
Eggcrate  
1/4" Cell  
Black Honeycomb  
Narrow



4605.210  
Eggcrate  
1/2" Cell  
Black Honeycomb  
Medium

