



Cyc Delux® 4 x 55w Fluorescent Softlight

4660 Series

SPECIFICATIONS

High Efficiency Fluorescent Softlight

PHYSICAL Lightweight steel housing with low glare epoxy powder coating
 Equipped with a dual accessory track for loading colorframes and eggcrates
 Accessories have been designed for one hand operation and are secured by a locking safety latch regardless of orientation of the fixture
 Supplied with a flat aluminum yoke with 1-1/8" spigot
 Clutch activated T-handle for secure, single hand operation
 Available with optional, vertical yoke
 UL Listed

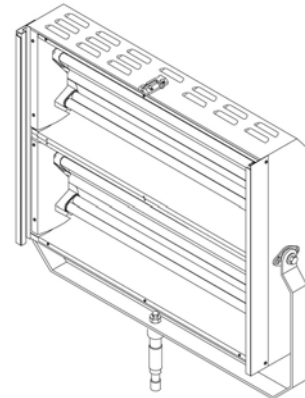
POLE OPERATED VERSION

Pole operated yoke constructed from precision die cast parts & steel tubing allowing for control of the pan & tilt
 All movement using the pole operated color-coded cups is clutch controlled and capable of manual movement of the unit

ELECTRICAL 115-230v, 50/60Hz
 18/3 SJT type cable
 Supplied with an 8' power cord fitted with a molded U-ground connector
 Available in Analog, Phase Control & DMX versions for 120 or 230v operation
 Local intensity control through a local potentiometer available on Analog & DMX versions
 Digital DMX address selector on rear of unit
 Built-in Quicktronic ballast dimming

LAMP Uses 4 x 55w compact fluorescent bias lamps rated for 10,000 hours (see table for suitable lamp types)

OPTICAL High efficiency asymmetrical reflector system eliminates the need for an external intensifier. Designed for even illumination of a backdrop or cyclorama.
 Reflector: 24 gauge high polished aluminum
 Polished specular finish
 96% specular reflectance



ORDERING INFORMATION

Delux 4 x 55w

Model #	Description	Wt.
<i>DMX Versions</i>		
4660.210	4x55w Manual Operated DMX w/ on/off & light intensity control through a single DMX channel, local control included	20.9
4661.210	4x55 Pole Operated DMX w/ on/off & light intensity control through a single DMX channel, local control included	22.1
<i>Analog Versions</i>		
4660.220	4x55w Manual Operated Analog with light intensity control by a local potentiometer	20.9
4661.220	4x55w Pole Operated Analog with light intensity control by a local potentiometer	22.1
<i>Phase Control Versions</i>		
4660.240	4x55w Manual Operated Phase Control with light intensity control through a standard dimmer output	20.9
4661.240	4x55w Pole Operated with light intensity control through a standard dimmer output	22.1

Connector Designations

Model #	Description	Wt.
20PC-M	Two-pin & ground, 20 amp connector	0.1
L5-20P	Grounded, 20 amp, twistlock connector	0.1

Delux 4 x 55w Accessories

Model #	Description	Wt.
4617.100	Colorframe	0.9
4616.200	Barndoor 8-Leaf	N/A
1800	Safety cable	0.5
91.200	Solid brass c-clamp	3.0
DGP-A110	Combo stand w/ lazy leg, 1" socket & spigot	26.0
DGP-A9000	Caster wheel set with 4" diameter, braked	8.0
IFF-3858	Telescopic operating pole 4'6"/10'/13'	3.0
IFF-3860	Telescopic operating pole 8'16'/24'	7.0

Cyc Delux® 4 x 55w Fluorescent Softlight

4660 Series

PHOTOMETRICS

TYPICAL DISTANCES		10'	15'	20'	25'
LIGHT CENTER VALUES	Candle Power	FOOTCANDLES			
OSRAM Dulux/ 31 RGB	8,505	85	38	21	14
OSRAM Dulux/ 32 Full Spectrum	6,120	61	27	15	10
OSRAM Dulux/ 12 Full Spectrum	6,390	64	28	16	10
OSRAM Studioline 3200° K	8,793	88	39	22	14
OSRAM Studioline 5600° K	8,217	82	37	21	13

Values measured with 4 x 55w lamps—120V, OSRAM Dulux & Studioline

F.C. at any distance = CANDLE POWER: [Distance (in ft)]²

BEAM ANGLE (50% of center value)		BEAM SIZE (W x H in feet)			
WIDTH without accessories	106°	26.5'	39.8'	53.1'	66.4'
HEIGHT without accessories	60°	11.5'	17.3'	23.1'	28.9'
WIDTH with eggcrate	31°	5.5'	8.3'	11.1'	13.9'
HEIGHT with eggcrate	31°	5.5'	8.3'	11.1'	13.9'

For illumination with any lamp, multiply the candlepower of a beam spread by the multiplying factor (mf) shown for that lamp.

To determine illumination in footcandles or lux at any throw distance, divide candlepower by distance squared.

For field diameter at any distance, multiply distance by .12

For beam diameter at any distance, multiply distance by .11

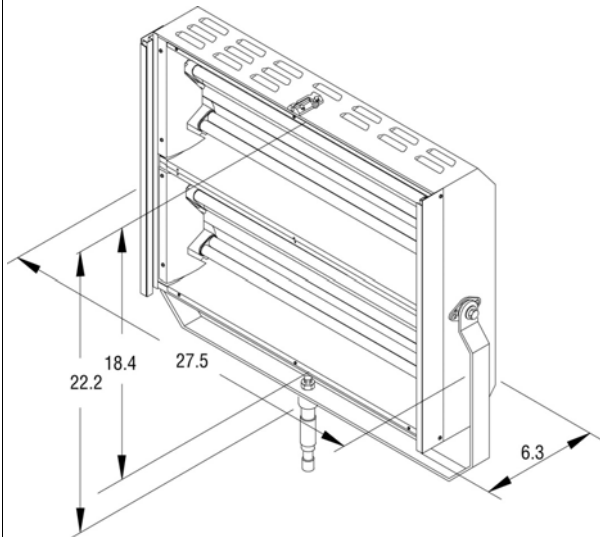
Metric Conversions: For Meters multiply feet by .3048
For Lux multiply footcandles by 10.76

LAMPING INFORMATION

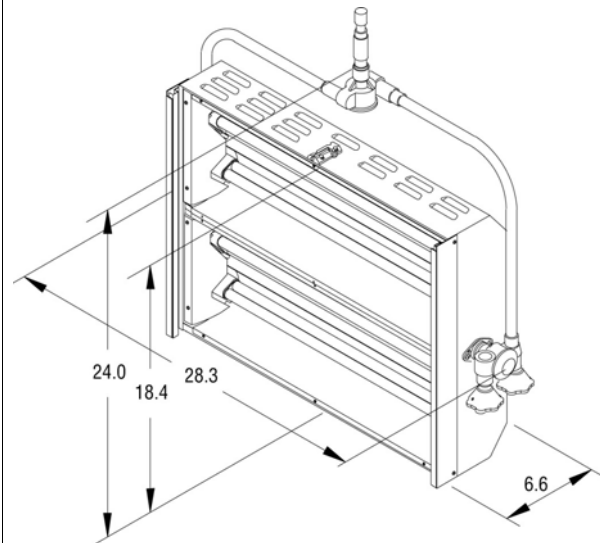
Lamp Code	Watts	Volts	Color Temp	CRI
OSR-DL5531—Dulux	55	120	31 RGB	>85
OSR-DL5532—Dulux	55	120	3200K	>95
OSR-DL5512—Dulux	55	120	5600K	>95
OSR-SL5532—Studioline	55	120	3200K	>95
OSR-SL5556—Studioline	55	120	5600K	>95

DIMENSIONS (Inches)

Manual Operated



Pole Operated



DE SISTI LIGHTING

dba Desmar Corporation
1109 Grand Avenue
North Bergen, NJ 07047
201-319-1100
201-319-1104 Fax
www.desisti.it