



The GIOTTO is a compact, high quality top cyclorama lighting fixture, with an exceptionally even output over the projected area, achieving a uniform distributed illumination of high backgrounds.

Its modular construction allows various configuration by combining 2, 3 or 4 pieces of the basic compartment. Each compartment accepts linear quartz-halogen lamps with R7s caps and there are three different overall length versions (that must be specified on order):

- 189 mm (Mod. N° xxxx.110) 230-240V lamps available Max. Power 1.250W per lamp
- 118 mm (Mod. N° xxxx.210) 120 V & 230-240V lamps available Max. Power 1.000W per lamp
- 167 mm (Mod. N° xxxx.410) 120V lamps available Max. Power 1.500W per lamp

The standard compartments are equipped with individual power cord of 2 m., but multi-pin versions are available on request for multiple compartments configurations.

FEATURES

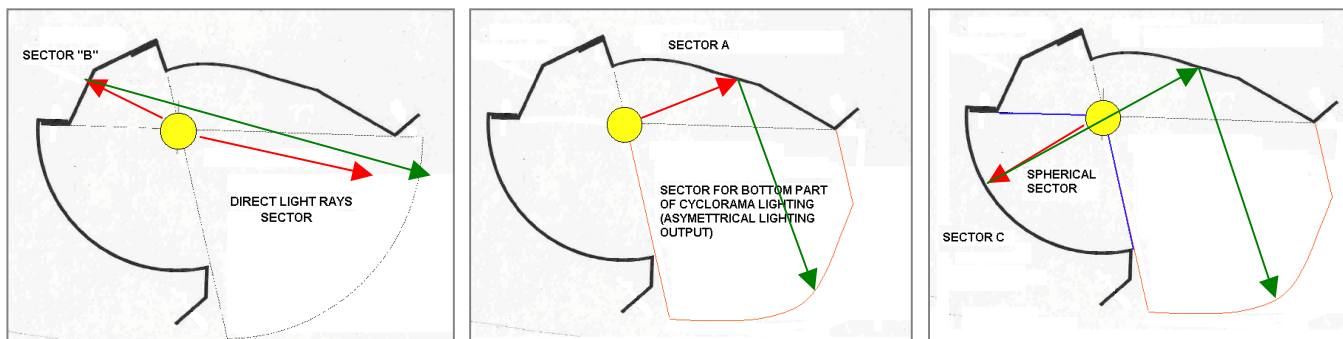
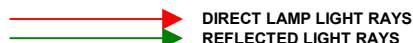
- Compact, construction and modular design for cyclorama over-head illumination, using linear tungsten-quartz-halogen filament lamps having R7s sockets and length of either 118mm., 167 mm. or 189 mm.
- Rugged and Lightweight Carbon Steel housing with low glare black epoxy powder coating, with front curved supports for filter frame, in order to hold the colored filters almost perpendicular to the output light rays and guarantee best output energy transmission and no color aberration.
- Compact overall housing height to minimize geometrical influence on back-lighting fixtures assembled between the background and the top cyclorama lights (other brands of top cyclorama lights use a tall housing that very often is obstructing the above mentioned back-lights).
- High efficiency convection cooling.
- High Efficiency and innovative optical system for homogeneous illumination of tall backgrounds. The reflector of the Giotto is formed by three different sectors:

SECTOR B: this portion of reflector is formed by a diffused material and is contributing for lighting the upper/medium region of the cyclorama height and has a special shape to avoid the lamp filament image projection on the background.

SECTOR A: this section is reflecting and conveying a big amount of light to the bottom part of the cyclorama, in order to compensate the longer distance of such part from the fixture and to obtain the even illumination of the background. This sector is built using a special semi-diffused aluminum.

SECTOR C: this portion of reflector is shaped as a spherical sector and it is built with a high reflectivity aluminum. The light rays emitted by the lamp are reflected by the SECTOR C back to SECTOR A and therefore used to lit the bottom of the cyclorama.

GIOTTO REFLECTOR SYSTEM



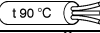
Such a unique optical system is guaranteeing not only the asymmetrical emission required, but an higher efficiency of the Giotto if compared with other competitive products. Also the special shape of the optical system is permitting the savings on the overall height of the lighting fixture.

- Flexible filter frame per compartment, to keep the gel tangential to the light output rays so as to achieve the best coefficient of transmission of the color filters, avoiding their overheating and eliminating color aberration on the projection.
- Each lamp compartment is equipped with a stainless steel wire guard.
- The accessories are secure regardless of the orientation of the fixture.
- Available with either positive lock manual yokes for comfort and ease of handling, or pole operated yokes which can be used via the lighting pole for Panning and Tilting the lights as well as manually, since the mechanical activators are equipped with clutches.

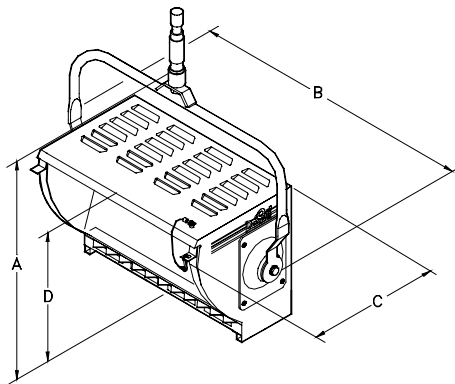
WORKING CONDITIONS

↻ Working Position	Lighting fixture: Max. Tilting 45° from horizontal (+/- 11° recommended)	Lamp: any for tilt position MAX +/- 4° Horizontal		
↻ Ambient Temperature, t_a	+45° C Max			
↻ Minimum distances from inflammable surfaces	Top 0,25 m.	Back 0,1 m.	Sides 0,1 m.	Front 0,7 m.

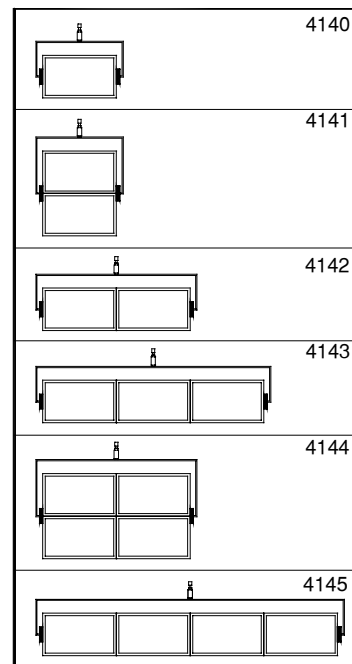
CHARACTERISTICS & PERFORMANCE DATA

DESCRIPTION	VALUE (for 1 compartment)	
↻ Amperage	Europe – 230 V 5.5 A (1250 W)	America – 120 V 12.5 A (1500 W)
↻ Power supply	Europe 230 V / 0-60 Hz	America 120 V / 0-60 Hz
↻ Lamp Holder	<i>Standard Version</i> R7 s	Special Versions R7 s UL R/C
↻ Power Cable	Europe  190 °C 3 x 1,5 mm ² H07RN-F 90°C	America 3 x 16 AWG TYPE SO 90°C
↻ Protection Class	Class 1– ground connection required	
↻ Protection Type	IP 22	
↻ Max Housing surface temperature	157 °C	
↻ Weight of Fixture	M.O.	P.O.
	Model Kg	Model Kg
	4130 6.05	4140 7,0
	4131 10.3	4141 11.5
	4132 10.5	4142 11.1
	4133 15.0	4143 16.1
	4134 19.0	4144 20.4
	4135 19.6	4145 20.7

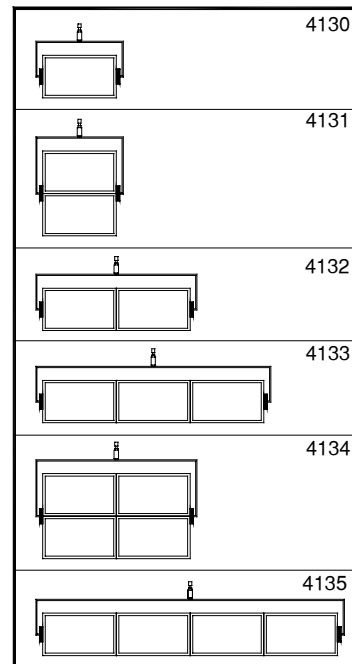
USABLE LAMPS - length-watt-filament	230 v		120 v	
	ANSI	LIF	ANSI	LIF
189 – 625 – sc 8	-	P2/10	Not available	
189 -1000- sc 8	EKM	P2/7	Not available	
189 – 1250 – sc 8	-	P2/12	Not available	
167 – 1000 – sc 8	Not available		FFT	-
167 – 1500 – sc 8	Not available		FDB	-
119 – 1000 – sc 8	-	P2/20	FCM	P2/28



POLE OPERATED VERSIONS



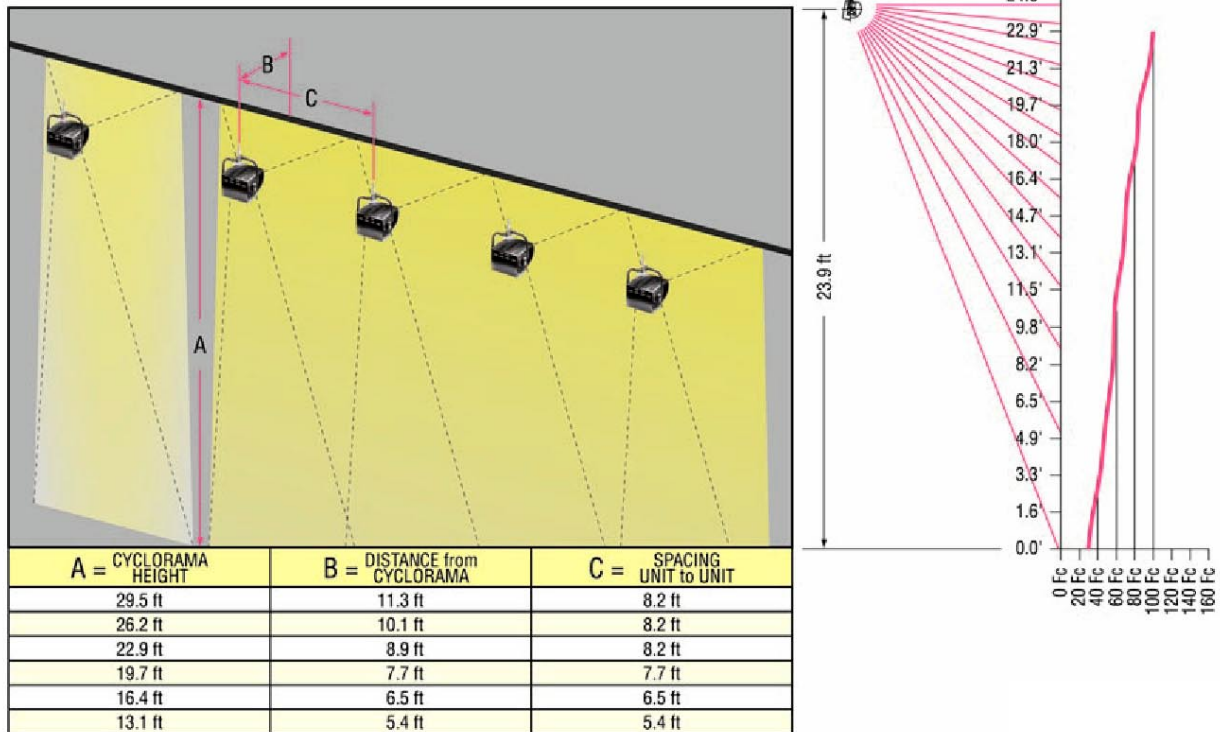
MANUAL OPERATED VERSIONS



DIMENSIONS	M.O. Versions (mm)					P.O. Versions (mm)				
	Model	A	B	C	D	Model	A	B	C	D
Giotto 1	4130	432	487	235	246	4140	440	505	235	246
Giotto 2 Vertical	4131	630	487	324	494	4141	635	505	324	494
Giotto 2 Horizontal	4132	432	487	324	494	4142	440	854	235	246
Giotto 3	4133	432	1120	235	246	4143	440	1106	235	246
Giotto 4 Square	4134	630	865	324	494	4144	635	858	324	494
Giotto 4 Horizontal	4135	432	1569	235	246	4145	440	1558	235	246

PHOTOMETRIC DATA

Giotto Photometrics



Measurements are taken with photocell facing the horizontal axis and using FCM 1 kW lamp on each compartment.

The light output of one unit cannot be measured in isolation as the total distribution is produced by overlaps of adjacent units. The values declared herewith are measured by using 4 GIOTTO compartments.

GIOTTO VERSIONS & MODEL NUMBERS

MOD. DESCRIPTION

Each compartment includes: wire guard, color frame, 2 mt. cable each compartment, stirrup

"GIOTTO" M.O. Top Cyclorama Luminaires Lamp Length 189 mm. for 230V Operation Only

4130.110	GIOTTO "1" M.O.,
4131.110	GIOTTO "2" M.O., VERTICAL
4132.110	GIOTTO "2" M.O., HORIZONTAL
4133.110	GIOTTO "3" M.O., HORIZONTAL
4134.110	GIOTTO "4" M.O. VERTICAL
4135.110	GIOTTO "4" M.O., HORIZONTAL

"GIOTTO" P.O. Top Cyclorama Luminaires Lamp Length 189 mm. for 230V Operation Only

4140.110	GIOTTO "1" P.O.
4141.110	GIOTTO "2" P.O., VERTICAL
4142.110	GIOTTO "2" P.O., HORIZONTAL
4143.110	GIOTTO "3" P.O., HORIZONTAL
4144.110	GIOTTO "4" P.O. VERTICAL
4145.110	GIOTTO "4" P.O., HORIZONTAL

"GIOTTO" M.O. Top Cyclorama Luminaires Lamp Length 118 mm. for 120V or 230V Operation

4130.210	GIOTTO "1" M.O.
4131.210	GIOTTO "2" M.O., VERTICAL
4132.210	GIOTTO "2" M.O, HORIZONTAL
4133.210	GIOTTO "3" M.O., HORIZONTAL
4134.210	GIOTTO "4" M.O. VERTICAL
4135.210	GIOTTO "4" M.O., HORIZONTAL

"GIOTTO" P.O. Top Cyclorama Luminaires Lamp Length 118 mm. for 120V or 230V Operation

4140.210	GIOTTO "1" P.O.
4141.210	GIOTTO "2" P.O., VERTICAL
4142.210	GIOTTO "2" P.O., HORIZONTAL
4143.210	GIOTTO "3" P.O., HORIZONTAL
4144.210	GIOTTO "4" P.O. VERTICAL
4145.210	GIOTTO "4" P.O., HORIZONTAL

GIOTTO ACCESSORIES TYPES & MODEL NUMBERS

MOD. OPTIONAL & ACCESSORIES

4137.100	Color frame for single Giotto Compartment
----------	---