



# LEONARDO 5.000 W

## Quartz - Halogen Fresnel SPOTLIGHT

DATA SHEET  
02/04/03



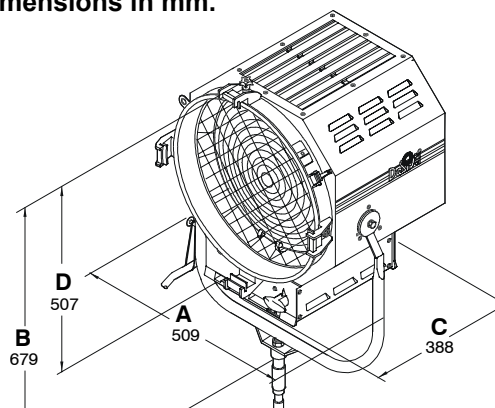
### FEATURES

- Compact, highly efficient Fresnel lens spotlight using tungsten-quartz-halogen filament lamps having G38 socket, L.C.L. of 165 mm. and max. 5 kW power.
- The following special version is available on request:
  - Version using tungsten – quartz halogen twin filament lamp having GX38q Base and L.C.L. of 143 mm. Max 5.000 W power (2.500+2.500) – 230 or 240V only.
- 300 mm. diameter high quality, shock resistant Borosilicate glass Fresnel lens on spring supports.
- Rugged and Lightweight Carbon Steel housing with low glare black epoxy powder coating, with internal double walls and reinforces.
- High efficiency convection cooling.
- Heavy-duty G-38 bi-post socket for tungsten halogen lamps, with lever activation and special contacts for homogeneous current distribution over lamp's pins.
- Special bimetallic clad aluminum reflector for high degree of reflectivity and thermal resistance for long life.
- Stainless steel cable driven focus mechanism which guides Teflon bushings supported lamp carriage along 2 stainless steel rails. This ensures smooth operation, and restricts bouncing or chattering of the lamp carriage during focusing, in any tilting position of the fixture, avoiding lamp failures during operation. The Teflon bushings also provide a wiping action, which cleans the stainless steel guide rails during focus. The focusing mechanism can be activated from both front and rear of the fixture and the whole spot to flood action is accomplished with 1 and half turn of the focusing knob.
- The unit is equipped with a hinged lens door with wire-guard for easy access to the lamp, it includes accessory holding brackets, which can be positioned in two different arrangements (vertical-horizontal or diagonal). One of the 4 brackets has a locking knob and is spring loaded, it can be locked to either safely hold barndoor, color frame and scrims or to be rotated 90° and locked in an open position for fast accessories changes. A double safety accessory bracket with spring loaded catch is available on request to be assembled opposite to the locking knob.
- The accessories are secure regardless of the orientation of the fixture. Accessories have been designed for one hand installation.
- Available with either positive lock manual yokes for comfort and ease of handling, or pole operated yokes which can be used via the lighting pole for Panning and Tilting the lights as well as manually, since the mechanical activators are equipped with clutches. It is possible the conversion between the two types.

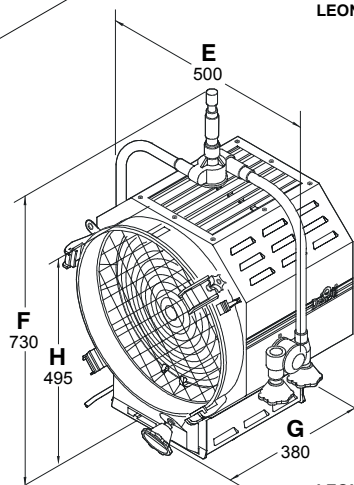
# CHARACTERISTICS & PERFORMANCE DATA

DESCRIPTION	VALUE			
Amperage	Europe - 230 V		America - 120 V	
	21,8 A (5.000 W)		41,7 A ( 5.000 W)	
Power supply	Europe		America	
	230 V / 0-60 Hz		120 V / 0-60 Hz	
Switch on the fixture	M.O.	P.O.	Studio MOIPO	
	Toggle 60 A	Rotary 45 A	No Switch	
Lamp Holder	Standard Version		Special Version	
	G38 Lever Type		GX38q Lever type	
Power Cable	Europe $\pm 90^{\circ}\text{C}$		America	
	3 x 4 mm <sup>2</sup> H07RN-F 90°C		3 x 6 AWG TYPE SO 90°C	
rotection Class	Class 1– ground connection required			
Protection Type	IP 22			
Max. Housing Surface Temperature	220° C			
Weight of Fixture	M.O. 230 V	M.O. 120 V	P.O. 230 V	P.O. 120 V
	16 Kg	19,4 Kg	17 Kg	20,4 Kg
Weight of Barndoor	4 leaf		8 leaf	
	1,85 kg.		2,1 kg.	
Size of Barndoor ring	Seat Diameter		Ring Diameter	
	402 mm.		399 mm. ( $\cong 15\frac{3}{4}$ )	
Weight of color frame	0,5 kg.			
Size of scrims & color frame	Seat Diameter		Accessory Diameter	
	395 mm		393 mm ( $\cong 15\frac{1}{2}$ )	
Lens diameter	300 mm.			

Dimensions in mm.



LEONARDO 5 kW M.O.



LEONARDO 5 kW P.O.

## USABLE LAMPS

base-watt-filament	230 V		120 V	
	ANSI	LIF	ANSI	LIF
G38 – 5000 – MP		CP 29	DPY	CP29
G38 – 5000 – BP		CP 85	Not available	

### Leonardo 5 kW Standard – G38 lamp holder

G38 – 5000 – MP		CP 29	DPY	CP29
G38 – 5000 – BP		CP 85	Not available	

### Leonardo dual filament – GX38q 4 pins lamp holder

GX38q – 2500+2500 –Twin		CP 32	Not available	
-------------------------	--	-------	---------------	--

## WORKING CONDITIONS

Working Position	Lighting fixture: Max. Tilting $\pm 90^{\circ}$ from horizontal			Lamp: S90
Ambient Temperature, $t_a$	+45° C Max			
Minimum distances from inflammable surfaces	Top 0,75 m.	Back 0,3 m.	Sides 0,2 m.	Front 3,5 m.

## PHOTOMETRIC DATA

### PHOTOMETRIC DATA LEONARDO 5.000 W

Values measured with: CP 85 Lamp - 220 V, 300 mm.  $\Phi$  Fresnel Lens

		FEET				METERS			
TYPICAL DISTANCES		30'	40'	50'	60'	8 mt	12 mt	15 mt	18 mt
<b>CENTER VALUES</b>		<b>FOOTCANDLES</b>				<b>LUX</b>			
	Candle Power								
SPOT	733.000	814	458	293	204	11.453	5.090	3.258	2.262
FLOOD	100.000	111	63	40	28	1.563	694	444	309
F.C. AT ANY DISTANCE = Candle Power : [Distance(in ft)] <sup>2</sup>					LUX AT ANY DISTANCE = Candle Power : [Distance(in m)] <sup>2</sup>				
<b>BEAM ANGLE (50% of center value):</b>		<b>BEAM DIAMETER in feet</b>				<b>BEAM DIAMETER in meters</b>			
SPOT	5,6°	2,9'	3,9'	4,9'	5,9'	0,8 mt	1,2 mt	1,5 mt	1,8 mt
FLOOD	56,2°	32,0'	42,7'	53,4'	64,1'	8,5 mt	12,8 mt	16,0 mt	19,2 mt
<b>FIELD ANGLE (10% of center value):</b>		<b>BEAM DIAMETER in feet</b>				<b>BEAM DIAMETER in meters</b>			
SPOT	18,4°	9,7'	13,0'	16,2'	19,4'	2,6 mt	3,9 mt	4,9 mt	5,8 mt
FLOOD	67,2°	39,9'	53,2'	66,4'	79,7'	10,6 mt	15,9 mt	19,9 mt	23,9 mt

## LEONARDO 5 kW VERSIONS & MODEL NUMBERS

### MOD. DESCRIPTION

#### LEONARDO 5 KW STANDARD (230V - 240V)

- 350.110** LEONARDO 5 kW M.O., Fresnel Spotlight including: 300 mm. Fresnel lens, 5 mt. power cable, 60A toggle switch, G38 lamp holder, wire guard (355.100), 4 leaf barndoor (356.110), colour frame (357.100), M.O. stirrup (350.110.40).
- 350.120** LEONARDO 5 kW M.O., Fresnel Spotlight including: 300 mm. Fresnel lens, 2 mt. power cable, (without switch), G38 lamp holder, wire guard (355.100), 4 leaf barndoor (356.110), colour frame (357.100), M.O. stirrup (350.110.40)
- 351.110** LEONARDO 5 kW P.O., Fresnel Spotlight including: 300 mm. Fresnel lens, 3 mt. power cable, 45A rotary switch, G38 lamp holder, wire guard (355.100), 4 leaf barndoor (356.110), colour frame (357.100), P.O. stirrup (351.110.40).
- 351.120** LEONARDO 5 kW P.O., Fresnel Spotlight including: 300 mm. Fresnel lens, 2 mt. power cable, (without switch), G38 lamp holder, wire guard (355.100), 4 leaf barndoor (356.110), colour frame (357.100), P.O. stirrup (351.110.40).

#### LEONARDO 5 KW STANDARD (120V)

- 350.210** LEONARDO 5 kW M.O., Fresnel Spotlight including: 300 mm. Fresnel lens, 5 mt. power cable 3x10 sq.mm., 60A toggle switch, G38 lamp holder, wire guard (355.100), 4 leaf barndoor (356.110), colour frame (357.100), M.O. stirrup (350.110.40).
- 350.220** LEONARDO 5 kW M.O., Fresnel Spotlight including: 300 mm. Fresnel lens, 2 mt. power cable 3x10 sq.mm., (without switch), G38 lamp holder, wire guard (355.100), 4 leaf barndoor (356.110), colour frame (357.100), M.O. stirrup (350.110.40)
- 351.220** LEONARDO 5 kW P.O., Fresnel Spotlight including: 300 mm. Fresnel lens, 3 mt. power cable 3x10 sq.mm., (without switch), G38 lamp holder, wire guard (355.100), 4 leaf barndoor (356.110), colour frame (357.100), P.O. stirrup (351.110.40).

#### LEONARDO DUAL FILAMENT (Lamp available at 230 or 240 V)

- 353.110** LEONARDO 2500+2500W P.O. Dual Filament Fresnel Spotlight including: 300 mm. lens, 3 mt. cable, 45A rotary switch, four pin Gx38q lamp holder, wire guard (355.300), 4 leaf barndoor (356.110), colour frame, P.O. stirrup (351.110.40)

## LEONARDO 5 kW ACCESSORIES TYPES & MODEL NUMBERS

### MOD. OPTIONAL & ACCESSORIES

- 350.110.40** Steel tube (M.O.) stirrup with 28,57 mm. spigot (B.S. 1 1/8"), with top end for attachment to "C" clamp.
- 350.220.40** Flat steel (M.O.) stirrup with 13,5 mm. Hole, without spigot
- 350.300.40** Steel tube (M.O.) stirrup with 28,00 mm. spigot (D.I.N)
- 351.110.40** Pole operated stirrup with 28,57 mm. spigot (B.S. 1 1/8"), with top end for attachment to "C" clamp.
- 351.300.40** Pole operated stirrup with 28,00 mm. spigot (D.I.N.)
- 355.100** Wire guard
- 355.300** Stainless Steel wire guard
- 356.100** Four leaf rotating barndoor (Large)
- 356.110** Four leaf rotating barndoor (Medium)
- 356.200** Eight way rotating barndoor (Large)
- 356.210** Eight way rotating barndoor (Medium)
- 357.100** Colour frame
- 357.300** Colour frame for short brackets mtg.
- 358.100** Cone with two discs (with front aperture diameter: 275 mm. 215 mm. 155 mm.).
- 359.100** Set of scrims - Stainless steel
- 359.101** Full single scrim - Stainless steel
- 359.102** Full double scrim - Stainless steel
- 359.103** 1/2 single scrim - Stainless steel
- 359.104** 1/2 double scrim - Stainless steel
- 359.250** 180° Bottom Light spill protection
- 397.100** Outrigger colour frame
- 397.110** Outrigger colour frame holding kit
- 91.200** Solid brass "C" clamp to hang fixtures overhead and for mounting on pipe with diameters up to 52 mm. (2"), with safety pin (no adapters)
- 20.100** Safety cable 800 mm. long with 4 mm. diameter steel rope and safety catch.
- DGP-A110** Combo stand with lazy leg with 29 mm. Socket (1 1/8") and 16 mm. Spigot (5/8")
- DGP-A9000** Caster set diam. 100 mm. braked

