



# ECO® 2000w Fresnel Spotlight

## 320.620 Series

### SPECIFICATIONS

#### Quartz Halogen Fresnel Spotlight

**PHYSICAL** Octagonal-shaped lightweight stainless steel construction  
 Double wall & internal baffles for efficient ventilation  
 Coated with a high temperature heat resistant powder coat black epoxy paint finish  
 Supplied with stainless steel wireguard  
 Hinged lens door with wire guard for easy re-lamping including accessory clips which can be positioned to suit various applications  
 Top locking safety bracket for barndoor & colorframe  
 Capable of being disassemble with simple screwdriver for easy replacement of parts & maintenance  
 Flat steel yoke with M12 hole for C-clamp  
 Clutch activated T-handle for secure, single hand operation  
 UL Listed

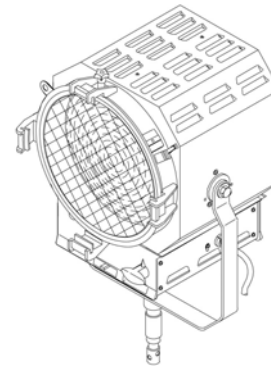
#### POLE OPERATED VERSION

Pole operated yoke constructed from precision die cast parts & steel tubing allowing for control of the pan, tilt & spot/flood movement  
 All movement using the pole operated color-coded cups is clutch controlled and capable of manual movement of the unit

**ELECTRICAL** 115-240V, 50/60Hz  
 14/3 SO 90° type cable  
 Six foot (6') standard lead

**LAMP** 2000w Maximum  
 Capable of interchanging a 1000w, 1500w or 2000w lamp  
 G38 locking lever bi-post socket for long life tungsten halogen lamps (see table for suitable lamps)

**OPTICAL/ FOCUS MECHANISM** 10" (250mm) shock resistant borosilicate glass fresnel lens  
 Special bi-metallic clad aluminum reflector for high degree of reflectivity and thermal resistance for long life  
 Focusable from both the front and the rear  
 Cable driven focus mechanism which guides Teflon bushings along a brass guide rail that is chrome plated to ensure smooth operation  
 Teflon bushings provide a wiping action which cleans the chrome plated brass guide rail during focusing



### ORDERING INFORMATION

#### ECO 2000w

Model #	Description	Wt.
320.620	Studio version w/ 6' lead & extruded aluminum c-clamp w/ M12 bolt included	23.1
321.620	Pole operated studio version w/ 6' lead & brass c-clamp included	29.0

#### Connector Designations

Model #	Description	Wt.
5965VBLK	Parallel-blade U-ground connector	0.1
20PC-M	Two-pin & ground, 20 amp connector	0.1
L5-20P	Grounded, 20 amp, twistlock connector	0.1

#### ECO 2000w Accessories

Model #	Description	Wt.
326.100	Four leaf rotating barndoor—large	3.3
326.110	Four leaf rotating barndoor—medium	3.1
326.200	Eight leaf rotating barndoor—large	3.8
326.210	Eight leaf rotating barndoor—medium	3.6
327.100	Colorframe	0.6
329.100	Four piece stainless steel scrim set	0.7
328.100	Cone w/ two discs (7", 6", 4")	4.4
329.250	180° Bottom light spill protection	0.4
8033	Scrim bag	0.6
1800	Safety cable	0.5
91.300	Extruded aluminum c-clamp w/ M12 bolt	0.4
91.200	Solid brass c-clamp	3.0
DGP-A620B	Aluminum black stand w/ 5/8" spigot	2.0
IFF-3858	Telescopic operating pole 4'6"/10'/13'	3.0
IFF-3860	Telescopic operating pole 8'/16'/24'	7.0

# ECO® 2000w Fresnel Spotlight

## 320.620 Series

### PHOTOMETRICS

TYPICAL DISTANCES		10'	20'	30'	40'
LIGHT CENTER VALUES	Candle Power	FOOTCANDLES			
SPOT	375,000	3,750	938	417	234
FLOOD	36,600	366	92	41	23

*Values measured with 2000w lamp—120V, 10" (250mm) Dia. Fresnel Lens*

F.C. at any distance = CANDLE POWER: [Distance (in ft)] <sup>2</sup>					
BEAM ANGLE (50% of center value)		BEAM DIAMETER in feet			
SPOT	8.8°	1.5'	3.1'	4.6'	6.2'
FLOOD	54.4°	10.3'	20.6'	30.8'	41.1'

For illumination with any lamp, multiply the candlepower of a beam spread by the multiplying factor (mf) shown for that lamp.

To determine illumination in footcandles or lux at any throw distance, divide candlepower by distance squared.

For field diameter at any distance, multiply distance by .12

For beam diameter at any distance, multiply distance by .11

**Metric Conversions:** For Meters multiply feet by .3048  
For Lux multiply footcandles by 10.76

### LAMPING INFORMATION

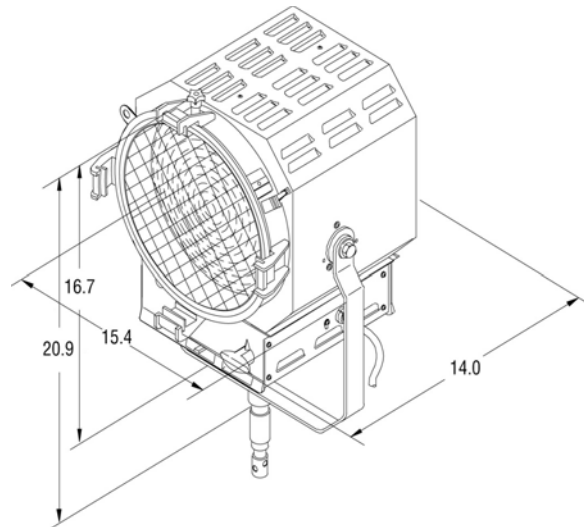
Lamp Code	Watts	Volts	Color Temp	Avg. Rated Life
CYV	1000w	120v	3200K	200
CXZ	1500w	120v	3200K	325
CYX	2000w	120v	3200K	400



**DE SISTI LIGHTING**  
 dba Desmar Corporation  
 1109 Grand Avenue  
 North Bergen, NJ 07047  
 201-319-1100  
 201-319-1104 Fax  
[www.desisti.it](http://www.desisti.it)

### DIMENSIONS (Inches)

#### Manual Operated



#### Pole Operated

