



Leonardo® Piccolo 10/12kW Fresnel Spotlight

480 Series

SPECIFICATIONS

Quartz Halogen Fresnel Spotlight

PHYSICAL Octagonal-shaped lightweight stainless steel construction
 Double wall & internal baffles for efficient ventilation
 Coated with a high temperature heat resistant powder coat black epoxy paint finish
 High efficiency convection cooling
 Supplied with stainless steel wireguard
 Hinged lens door with wire guard for easy re-lamping including accessory clips which can be positioned to suit various applications
 Top locking safety bracket for barndoor & colorframe
 Capable of being disassembled with a screwdriver for easy replacement of parts & maintenance
 Reinforced steel tube yoke with 1" male spigot attached for C-clamp
 Clutch activated T-handle for secure, single hand operation
 UL Listed

POLE OPERATED VERSION

Pole operated yoke constructed from precision die cast parts & steel tubing allowing for control of the pan, tilt & spot/flood movement
 All movement using the pole operated color-coded cups is clutch controlled and capable of manual movement of the unit

ELECTRICAL

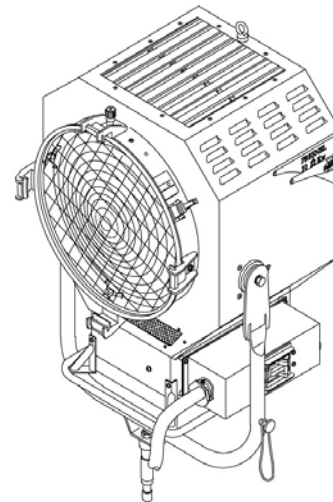
115-240V, 50/60Hz
 12/3 SO type cable
 Six foot (6') standard lead for studio & pole operated versions
 Twelve foot (12') standard lead with 125 amp in-line toggle switch for stand mount version

LAMP

12000w Maximum
 Capable of interchanging a 10,000w or 12,000w lamp
 G38 bi-post socket for long life tungsten halogen lamps (see table for suitable lamps)

OPTICAL/ FOCUS MECHANISM

14" (350mm) shock resistant borosilicate glass fresnel lens
 Special bi-metallic clad aluminum reflector for high degree of reflectivity and thermal resistance for long life
 Focusable from both the front and the rear
 Cable driven focus mechanism which guides Teflon bushings along a brass guide rail that is chrome plated to ensure smooth operation
 Teflon bushings provide a wiping action which cleans the chrome plated brass guide rail during focusing



ORDERING INFORMATION

Leonardo Piccolo 10/12kW

| Model # | Description | Wt. |
|-----------|--|------|
| 480/MP | Stand mount version w/ 12' lead & 125 amp in-line on/off toggle switch | 60.7 |
| 480/ST | Studio version w/ 6' lead & brass c-clamp included | 63.7 |
| 481/PO/ST | Pole operated studio version w/ 6' lead & brass c-clamp included | 69.6 |

Connector Designations

| Model # | Description | Wt. |
|---------|-------------------------------------|-----|
| 100PC-M | Two-pin & ground, 100 amp connector | 0.8 |

Leonardo Piccolo 10/12kW Accessories

| Model # | Description | Wt. |
|----------|--|-----|
| 356.100 | Four leaf rotating barndoor—large | 4.1 |
| 356.110 | Four leaf rotating barndoor—medium | 3.8 |
| 356.200 | Eight leaf rotating barndoor—large | 4.5 |
| 356.210 | Eight leaf rotating barndoor—medium | 4.2 |
| 357.100 | Colorframe | 1.1 |
| 359.100 | Four piece stainless steel scrim set | 1.1 |
| 358.100 | Cone w/ two discs (11", 8", 6") | 7.1 |
| 359.250 | 180° Bottom light spill protection | 0.7 |
| 8034 | Scrim bag | 1.1 |
| 1800 | Safety cable | 0.5 |
| 91.200 | Solid brass c-clamp | 3.0 |
| DGP-B200 | 3-Section high wind-up stand with hard braked wheels | |
| IFF-3858 | Telescopic operating pole 4'/6'/10'/13' | 3.0 |
| IFF-3860 | Telescopic operating pole 8'/16'/24' | 7.0 |

Leonardo® Piccolo 10/12kW Fresnel Spotlight

480 Series

PHOTOMETRICS

| TYPICAL DISTANCES | | | 20' | 40' | 60' | 80' |
|---|------|-----------------------|-------------|-------|-------|-----|
| LIGHT CENTER VALUES | | Candle Power | FOOTCANDLES | | | |
| SPOT | 10kW | 650,700 | 1627 | 407 | 181 | 102 |
| | 12kW | 707,700 | 1769 | 442 | 197 | 111 |
| FLOOD | 10kW | 291,200 | 728 | 182 | 81 | 46 |
| | 12kW | 350,700 | 877 | 219 | 97 | 55 |
| <i>Values measured with 10kW & 12kW lamps—120V, 14" (350mm) Dia. Fresnel Lens</i> | | | | | | |
| F.C. at any distance = CANDLE POWER: [Distance (in ft)] ² | | | | | | |
| BEAM ANGLE (50% of center value) | | BEAM DIAMETER in feet | | | | |
| SPOT | 17° | 6' | 12' | 17.9' | 23.9' | |
| FLOOD | 39° | 14.2' | 28.3' | 42.5' | 56.7' | |

For illumination with any lamp, multiply the candlepower of a beam spread by the multiplying factor (mf) shown for that lamp.

To determine illumination in footcandles or lux at any throw distance, divide candlepower by distance squared.

For field diameter at any distance, multiply distance by .12

For beam diameter at any distance, multiply distance by .11

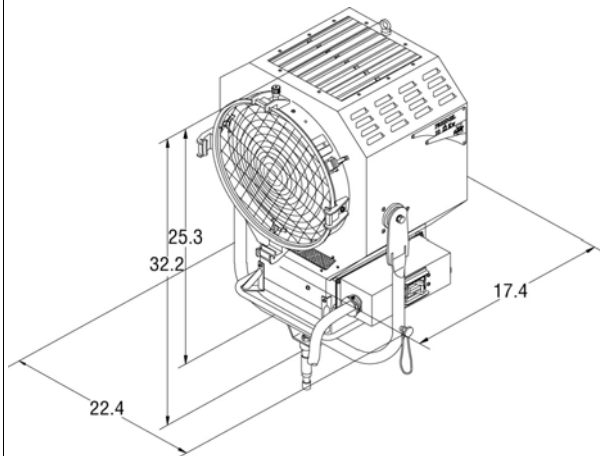
Metric Conversions: For Meters multiply feet by .3048
For Lux multiply footcandles by 10.76

LAMPING INFORMATION

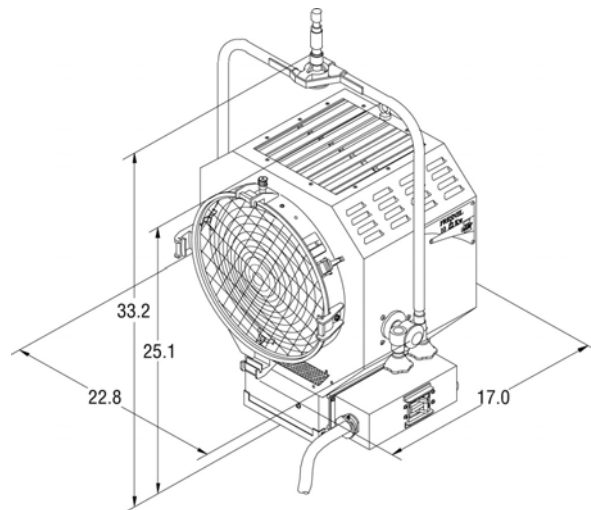
| Lamp Code | Watts | Volts | Color Temp | Avg. Rated Life |
|-----------|---------|-------|------------|-----------------|
| DTY | 10,000w | 120v | 3200K | 300 |
| | 12,000w | 120v | 3200K | |

DIMENSIONS (Inches)

Manual Operated



Pole Operated



DE SISTI LIGHTING

dba Desmar Corporation
1109 Grand Avenue
North Bergen, NJ 07047
201-319-1100
201-319-1104 Fax
www.desisti.it