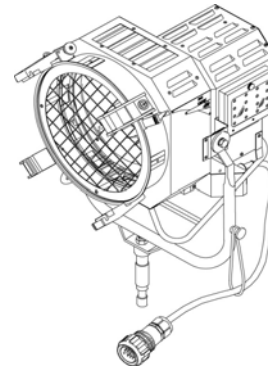




Remington® 1200w HMI PAR

2330 Series



SPECIFICATIONS

Compact HMI Open Face PAR

PHYSICAL Lightweight & rugged stainless steel construction
 Double wall & internal baffles for efficient ventilation
 Finished with a silver gray, high temperature, anti-scratch powder coat paint
 Supplied with stainless steel wireguard & UV safety glass
 Supplied with a cool grip rear handle
 Can be fired locally from the head or remotely from the ballast or via DMX
 Hinged lens door with quick release latch and pivoting ear for easy loading of five different drop-in lenses without removing barndoor or other front-mounted accessories
 External knob activated lamp release under locking cover
 Digital non-resetting universal hour counter assembled to the side of the igniter box
 Heavy duty tubular skid
 Reinforced steel tube yoke with 1" male spigot attached for C-clamp and side mounted cable holding loop
 Clutch activated T-handle for secure, single hand operation
 UL Listed

ELECTRICAL 115-240V, 50/60Hz
 Six foot (6') detachable head to ballast cable
 Silent high voltage igniter to operate from electronic or magnetic ballasts
 Weatherproof on/off push buttons
 IP23 rain tested
 Cut-off micro-switches located on UV safety glass, lens door and lamp lock

LAMP 1200w Maximum
 High voltage insulated G38 bi-pin socket for single ended HMI lamps (see table for suitable lamps)
 Capable of hot re-strike
 Collar clamping holds lamp firmly without stressing the electrical contacts

**OPTICAL/
 FOCUS
 MECHANISM** Special bi-metallic clad aluminum reflector for high degree of reflectivity and thermal resistance for long life
 Beam intensity controlled by a rear focus knob
 Drop-in lenses include: Narrow spot, medium flood, wide flood, extra wide flood and frosted fresnel

ORDERING INFORMATION

Remington 1200w

Model #	Description	Wt.
2330.110	HMI PAR supplied with detachable 6' head to ballast cable & connector, tubular steel yoke with 1" spigot and four leaf medium barndoor	28.7
2330.600/S	System supplied with detachable 6' head to ballast cable & connector, tubular steel yoke with 1" spigot, four leaf medium barndoor, set of 5 lenses, fly case for lenses & DEB 575/1200w dual flicker free electronic ballast & 25' extension cable	81.7
2330.610/S/L	System supplied with attached 6' head to ballast cable & connector, tubular steel yoke with 1" spigot, four leaf medium barndoor, set of 5 lenses, fly case for lenses, DEB 575/1200w dual flicker free electronic ballast, 25' extension cable and 1200w MSR lamp	82.0
2330.680/K/S/L	Kit supplied with attached 6' head to ballast cable & connector, tubular steel yoke with 1" spigot, four leaf medium barndoor, set of 5 lenses, fly case for lenses, DEB 575/1200w dual flicker free electronic ballast, 25' extension cable, four piece scrim set, 1200w MSR lamp and fly case for complete kit	n/a

Remington 1200w Accessories

Model #	Description	Wt.
2515.205	DEB 575/1200w dual flicker free electronic ballast 185/265v, 50/60Hz, low noise and 35% dimming capability, with 6' detachable main cable (MIL connector)	28.7
326.100	Four leaf rotating barndoor (Large)	3.3
326.110	Four leaf rotating barndoor (Medium)	3.1
326.200	Eight leaf rotating barndoor (Large)	3.8
326.210	Eight leaf rotating barndoor (Medium)	3.6
327.100	Colorframe	0.6
329.100	Four piece stainless steel scrim set	0.7
329.250	180° Bottom light spill protection	0.4
2335.200	Set of 5 lenses with ring & handle including: Narrow spot, medium flood, wide flood, extra wide flood & frosted fresnel	10.0
2338.100	Fly case for 5 piece lens set	5.0
2338.180	Fly case for 2330.680/K/S/L Kit	n/a
2515.601	Fly case for dual DEB 575/1200w ballast	n/a
2011.100	Cable Head to Ballast 1200w, 25'	4.9
2011.200	Cable Head to Ballast 1200w, 50'	9.5
DGP-A110	Combo stand w/ lazy leg, 1" socket & spigot	26.0
DGP-9000	Caster wheel set with 4" diameter, braked	8.0

Remington® 1200w HMI PAR

2330 Series

PHOTOMETRICS

TYPICAL DISTANCES		2'0"	30'	40'	50'
LIGHT CENTER VALUES	Candle Power	FOOTCANDLES			
No Lens	3,875,000	9,675	4,300	2,419	1,548
NSP Frosted	985,500	2,461	1,094	615	394
MF Rectangular Prism	497,500	1,242	552	311	199
WF Dimples	190,000	474	211	119	76
XWF Square Dimples	122,500	306	136	76	49
Frosted Fresnel	44,825	112	50	28	18
<i>Values measured with MSR 1200HR Lamp</i>					
F.C. at any distance = CANDLE POWER: [Distance (in ft)]²					
BEAM ANGLE (50% of center value)		BEAM SIZE (W x H in feet)			
No Lens	5.5°	1.9'	2.9'	3.8'	4.8'
NSP Frosted	11°	3.9'	5.8'	7.7'	9.6'
MF Rectangular Prism	24.5° x 11.5°	8.7' x 4'	13' x 6'	17.4' x 8.1'	21.7' x 10.1'
WF Dimples	51° x 17.5°	19.1' x 6.2'	28.6' x 9.2'	38.2' x 12.3'	47.7' x 15.4'
XWF Square Dimples	73°	14.8'	29.6'	44.4'	59.2'
Frosted Fresnel	41°	7.5'	15'	22.4'	29.9'

For illumination with any lamp, multiply the candlepower of a beam spread by the multiplying factor (mf) shown for that lamp.

To determine illumination in footcandles or lux at any throw distance, divide candlepower by distance squared.

For field diameter at any distance, multiply distance by .12

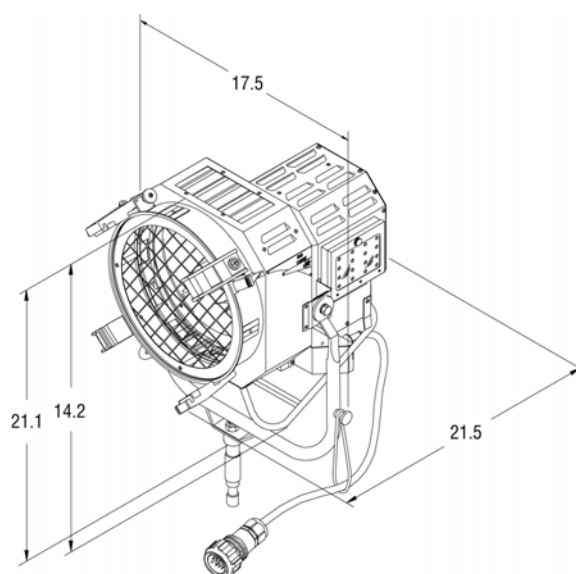
For beam diameter at any distance, multiply distance by .11

Metric Conversions: For Meters multiply feet by .3048
For Lux multiply footcandles by 10.76

LAMPING INFORMATION

Lamp Code	Watts	Volts	Color Temp	Avg. Rated Life
1200MSR	1200	230v	5600K	750

DIMENSIONS (inches)



DE SISTI LIGHTING

dba Desmar Corporation
1109 Grand Avenue
North Bergen, NJ 07047
201-319-1100
201-319-1104 Fax
www.desisti.it