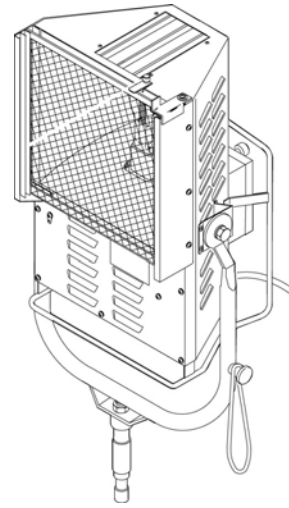




Renoir® 2000w Broadlight

3130 Series



SPECIFICATIONS

Quartz Halogen Broadlight

PHYSICAL Brushed stainless steel construction
 Double wall & internal baffle ventilation enables lighting base down to 60° from vertical position
 Finished with a high temperature, heat resistant black powder coat epoxy paint
 Locking rear knob protected by a safety cover for easy re-lamping
 Equipped with a heavy duty tubular skid
 Supplied with a stainless steel wireguard
 Integral barndoor holder with safety catch
 Heavy duty tubular steel yoke which holds fixtures rigidly in any position
 Clutch activated T-handle for secure, single hand operation
 UL Listed

POLE OPERATED VERSION

Pole operated yoke constructed from precision die cast parts & steel tubing allowing for control of the pan & tilt
 All movement using the pole operated color-coded cups is clutch controlled and capable of manual movement of the unit

ELECTRICAL 115-240V, 50/60Hz
 14/3 SO 90° type cable
 Twelve foot (12') standard lead & 20 amp built-in on/off toggle switch on stand mount version only
 Six foot (6') standard lead on studio & pole operated versions

LAMP 2000w Maximum
 G38 bi-post socket for long life Tungsten halogen lamps (see table for suitable lamps)

OPTICAL Specially designed reflector with optics that produce a 90° beam spread of flat even light across the entire field

ORDERING INFORMATION

Renoir 2000w

Model #	Description	Wt.
3130/MP	Stand Mount version w/ 12' lead and 20 amp built-in on/off toggle switch	16.5
3130/ST	Studio version w/ 6' lead & brass c-clamp included—without switch	19.5
3131/PO/ST	Pole operated studio version w/ 6' lead & brass c-clamp included—without switch	21.9

Connector Designations

Model #	Description	Wt.
5965VBLK	Parallel-blade U-ground connector	0.1
20PC-M	Two-pin & ground, 20 amp connector	0.1
L5-20P	Grounded, 20 amp, twistlock connector	0.1

Renoir 2000w Accessories

Model #	Description	Wt.
2736.200	Eight leaf barndoor	6.0
2739.100	Four piece stainless steel scrim set	1.1
2737.100	Outrigger colorframe	3.0
2737.110	Outrigger colorframe holding kit	0.3
1800	Safety cable	0.5
91.200	Solid brass c-clamp	3.0
DGP-A110	Combo stand w/ lazy leg, 1" socket & spigot	26.0
DGP-A9000	Caster wheel set with 4" diameter, braked	8.0
IFF-3858	Telescopic operating pole 4'6"/10'/13'	3.0
IFF-3860	Telescopic operating pole 8'/16'/24'	7.0

Renoir® 2000w Softlight

3130 Series

PHOTOMETRICS

TYPICAL DISTANCES		10'	20'	30'	40'
	Candle Power	FOOTCANDLES			
LIGHT CENTER VALUES	22,250	223	56	25	14

Values measured with 2000w lamp—120V

For illumination with any lamp, multiply the candlepower of a beam spread by the multiplying factor (mf) shown for that lamp.

F.C. at any distance = CANDLE POWER: [Distance (in ft)] ²					
BEAM ANGLE (50% of center value)		BEAM SIZE (W x H in feet)			
WIDTH	84°	18'	36'	54'	72'
HEIGHT	85°	18.3'	36.7'	55'	73.3'

To determine illumination in footcandles or lux at any throw distance, divide candlepower by distance squared.

For field diameter at any distance, multiply distance by .12

For beam diameter at any distance, multiply distance by .11

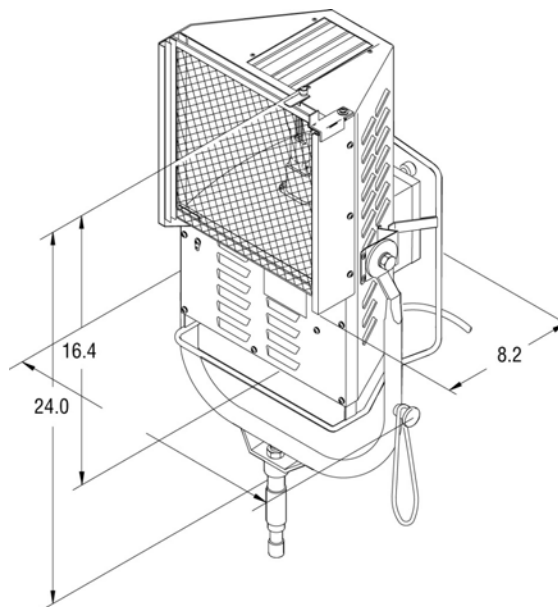
Metric Conversions: For Meters multiply feet by .3048
For Lux multiply footcandles by 10.76

LAMPING INFORMATION

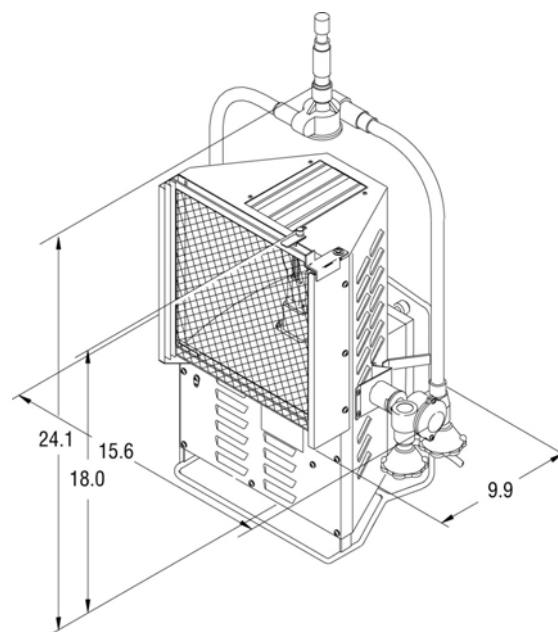
Lamp Code	Watts	Volts	Color Temp	Avg. Rated Life
CYX	2000	120	3200K	400

DIMENSIONS (Inches)

Manual Operated



Pole Operated



DE SISTI LIGHTING
 dba Desmar Corporation
 1109 Grand Avenue
 North Bergen, NJ 07047
 201-319-1100
 201-319-1104 Fax
www.desisti.it