



Renoir® 650w Broadlight

3160 Series

SPECIFICATIONS

Quartz Halogen Broadlight

PHYSICAL Brushed stainless steel construction
 Double wall & internal baffle ventilation enables lighting base down to 60° from vertical position
 Finished with a high temperature, heat resistant black powder coat epoxy paint
 Locking rear knob protected by a safety cover for easy re-lamping
 Equipped with a heavy duty tubular skid
 Supplied with a stainless steel wireguard
 Integral barndoor holder with safety catch
 Flat aluminum yoke with 5/8" receiver
 Clutch activated T-handle for secure, single hand operation
 UL Listed

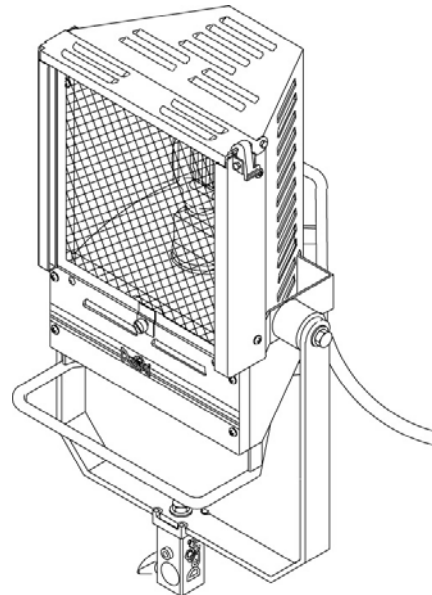
POLE OPERATED VERSION

Pole operated yoke constructed from precision die cast parts & steel tubing allowing for control of the pan & tilt
 All movement using the pole operated color-coded cups is clutch controlled and capable of manual movement of the unit

ELECTRICAL 115-240V, 50/60Hz
 16/3 SO 90° type cable
 10 amp built-in on/off toggle switch
 Twelve foot (12') standard lead on stand mount version only
 Six foot (6') standard lead on studio & pole operated versions

LAMP 650w Maximum
 Capable of interchanging 300w, 500w or 650w lamps
 G38 bi-post socket for long life Tungsten halogen lamps (see table for suitable lamps)

OPTICAL Specially designed reflector with optics that produce a 90° beam spread of flat even light across the entire field



ORDERING INFORMATION

Renoir 650w

Model #	Description	Wt.
3160/MP	Stand Mount version w/ 12' lead and 10 amp built-in on/off toggle switch	6.2
3160/ST	Studio version w/ 6' lead & mini aluminum c-clamp included—without switch	6.6
3161/PO/ST	Pole operated studio version w/ 6' lead & brass c-clamp included—without switch	11.0

Connector Designations

Model #	Description	Wt.
5965VBLK	Parallel-blade U-ground connector	0.1
20PC-M	Two-pin & ground, 20 amp connector	0.1
L5-20P	Grounded, 20 amp, twistlock connector	0.1

Renoir 650w Accessories

Model #	Description	Wt.
2716.200	Eight leaf barndoor	2.6
2719.100	Four piece stainless steel scrim set	0.7
1800	Safety cable	0.5
91.303	Mini aluminum c-clamp	0.4
91.200	Solid brass c-clamp	3.0
DGP-A620B	Aluminum black stand w/ 5/8" spigot	2.0
IFF-3858	Telescopic operating pole 4'6"/10'/13'	3.0
IFF-3860	Telescopic operating pole 8'/16'/24'	7.0

Renoir® 650w Softlight

3160 Series

PHOTOMETRICS

TYPICAL DISTANCES		10'	20'	30'	40'
LIGHT CENTER VALUES	Candle Power	FOOTCANDLES			
650w	3,735	37	17	9	6
500w	2,646	26	12	7	4
300w	1,575	16	7	4	3

Values measured with 300w, 500w & 650w lamps—120V

F.C. at any distance = CANDLE POWER: [Distance (in ft)] ²					
BEAM ANGLE (50% of center value)		BEAM SIZE (W x H in feet)			
WIDTH	90°	20'	30'	40'	50'
HEIGHT	92°	20.7'	31.1'	41.4'	51.8'

For illumination with any lamp, multiply the candlepower of a beam spread by the multiplying factor (mf) shown for that lamp.

To determine illumination in footcandles or lux at any throw distance, divide candlepower by distance squared.

For field diameter at any distance, multiply distance by .12

For beam diameter at any distance, multiply distance by .11

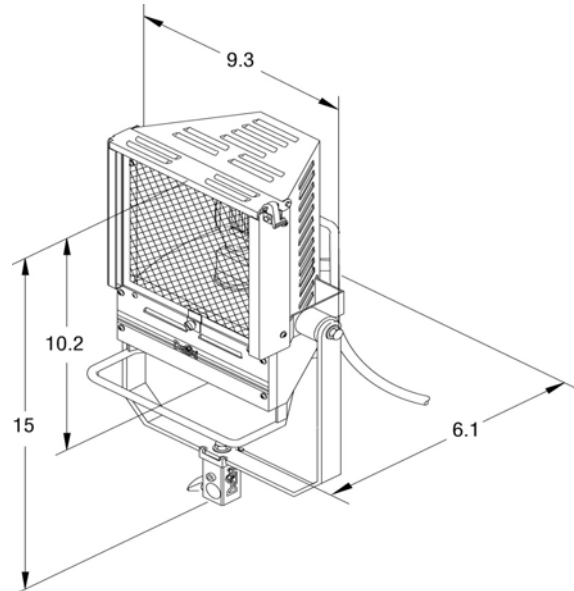
Metric Conversions: For Meters multiply feet by .3048
For Lux multiply footcandles by 10.76

LAMPING INFORMATION

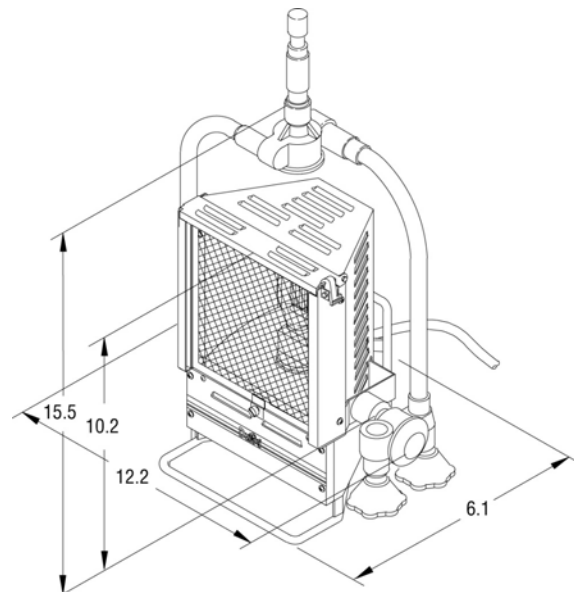
Lamp Code	Watts	Volts	Color Temp	Avg. Rated Life
FKW	300	120	3200K	150
FRG	500	120	3200K	150
FRK	650	120	3200K	150

DIMENSIONS (Inches)

Manual Operated



Pole Operated



DE SISTI LIGHTING
 dba Desmar Corporation
 1109 Grand Avenue
 North Bergen, NJ 07047
 201-319-1100
 201-319-1104 Fax
www.desisti.it